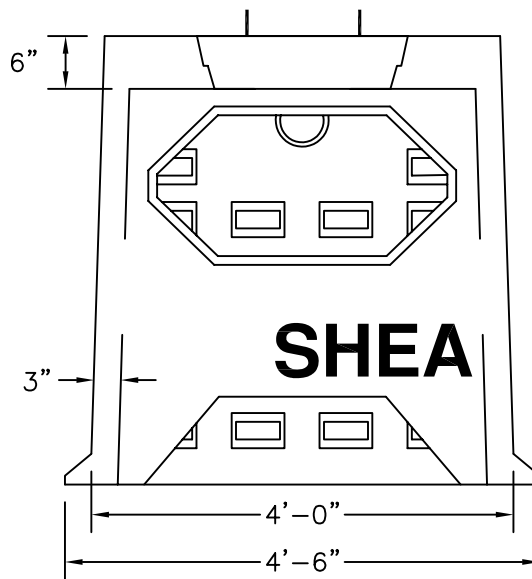


PLAN VIEW



FRONT VIEW

NOTES:

1. CONCRETE: 4,000 PSI MINIMUM AFTER 28 DAYS.
2. DESIGNED FOR H-20 LOADING.
3. GALLEY AVAILABLE IN BOTH END AND CENTER SECTIONS.
CENTER SECTIONS HAVE LARGE OPENING IN
BOTH THE BACK AND FRONT SIDES.